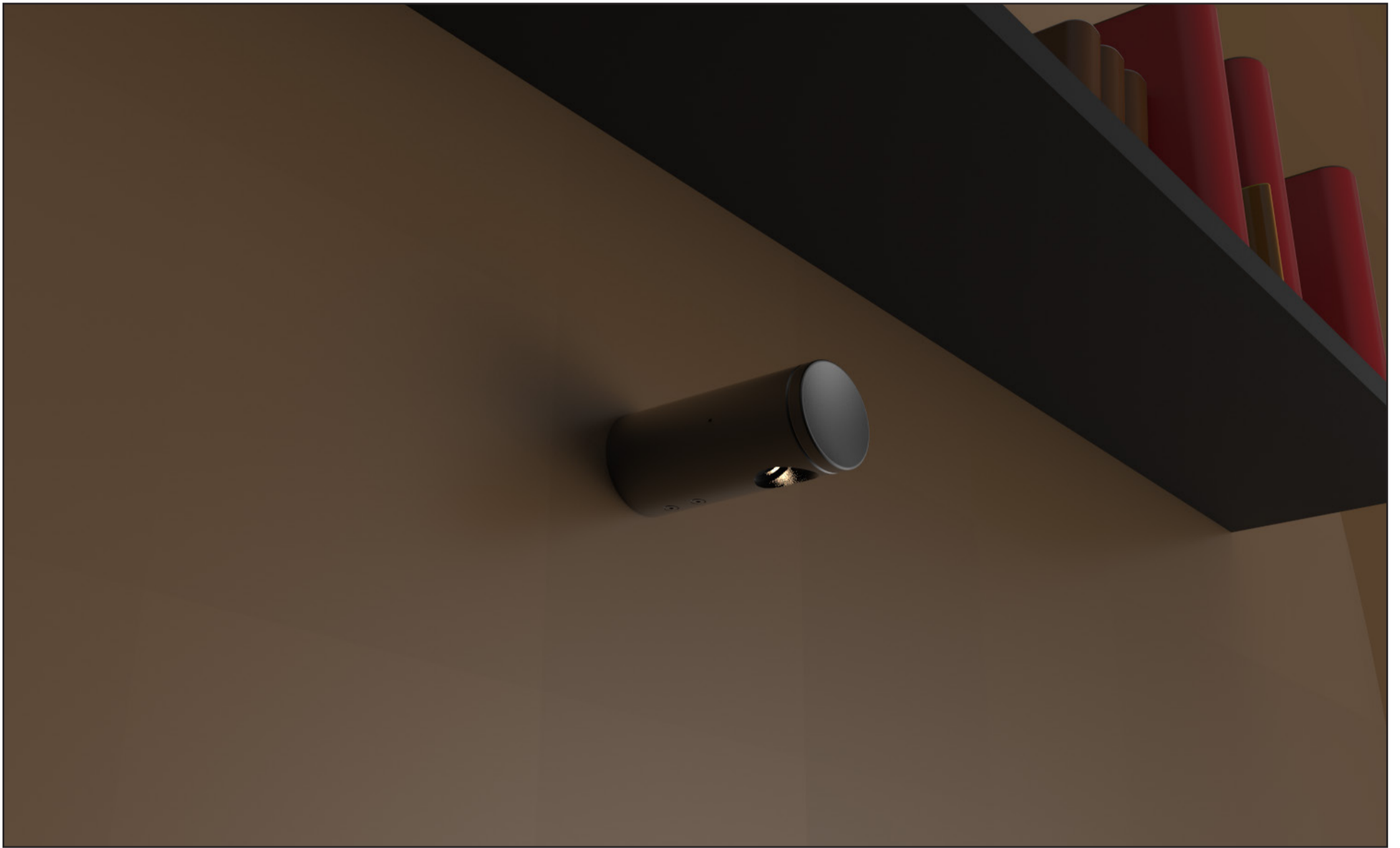


O R S E N S O



KiP

Shabbat Bedside reading light

# KiP

Shabbat bedside reading light

Luxurious decorative bedside reading light with excellent light distribution & light output. Keeps your Shabbat safe, readable and dark.

**KiP** is a decorative bedside reading light that has two important features, It is Shabbat keeper enabling the user to close the light mechanically without switching any electric power, and while doing so it also provides the ability to dimm the light to 0%.

**KiP** uses the latest development in led technology, a high power 230lm high CRI 92 LED chip. With a carefully selected optic it gives the perfect 29 degree of light enabling the user to either sit or lie in bed and still get the perfect light spread. **KiP** is the perfect solution for any Home, Hotel, Hospitality, Hospital or every place that needs special attention with fine design and the best quality of light.

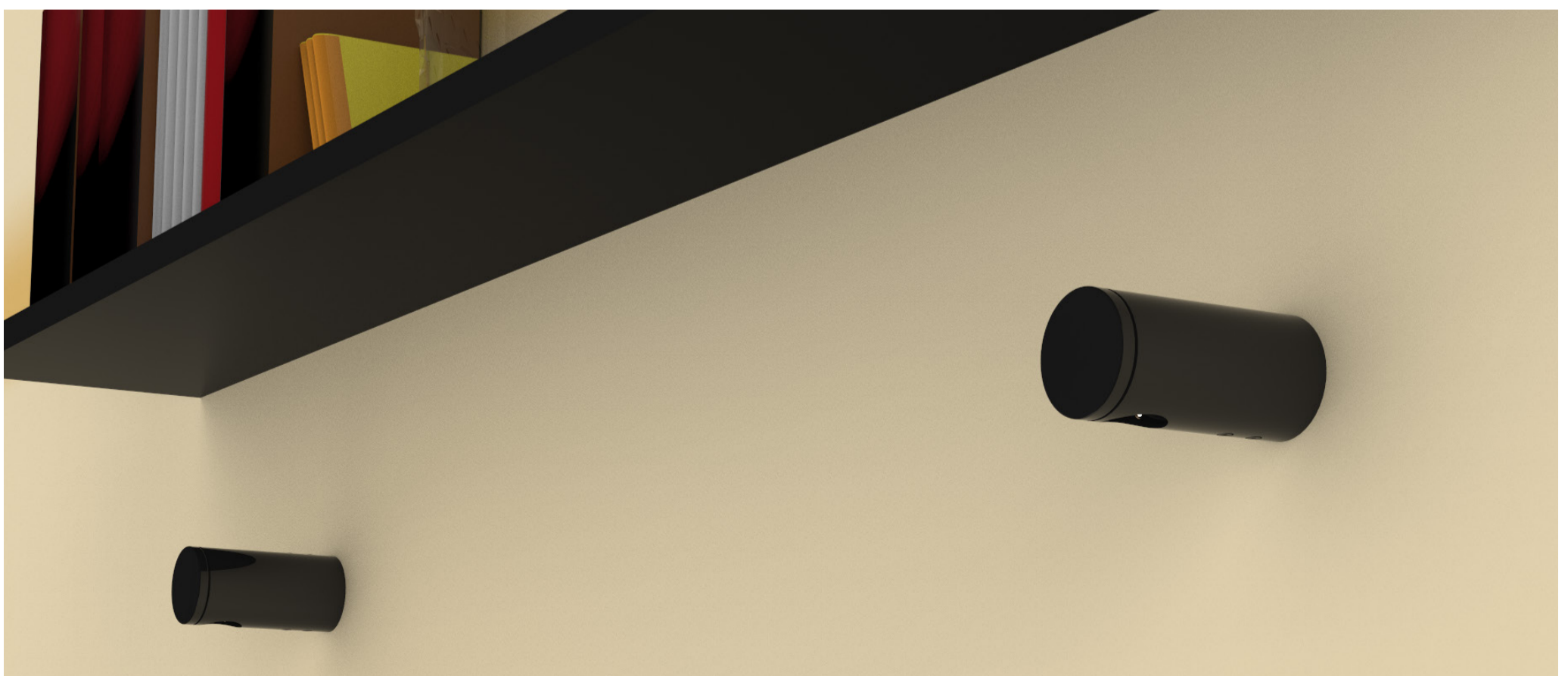
In addition **KiP** offers variety of finishes, any chosen RAL color can be ordered to complete its beautiful look.\*

The **KiP** heat sink is designed for high heat dissipation to ensure safe and long operation use while keeping the touchable surface completely unwarmed and safe to touch.

**KiP** comes with a specially designed bracket that can be attached to any flat surface very simply. The bracket holds an internal driver that can be connected to 100-230V 50/60Hz.

## Features:

- Shabbat bed lamp - meets Halakha laws
- Mechanical dimmer
- Unwarm touchable surfaces
- 230 lumens
- 2 W
- 29 degree beam angles
- High CRI 92
- IP20
- internal driver
- Guaranteed long life time and high performance
- Perfect for Home, Hotels, Hospitals, Hospitality



\* additional cost

# KiP

Shabbat bedside reading light



## TECHSPEC

### Output

Type of LEDs	OSRAM High-power
Color Temperature (K)	4000
Luminous flux (lm)	230 lm
CRI	92 typ
Optics	High precision optical grade PC
Beam angle	29°
Efficiency (lm/w)	115

### Electrical

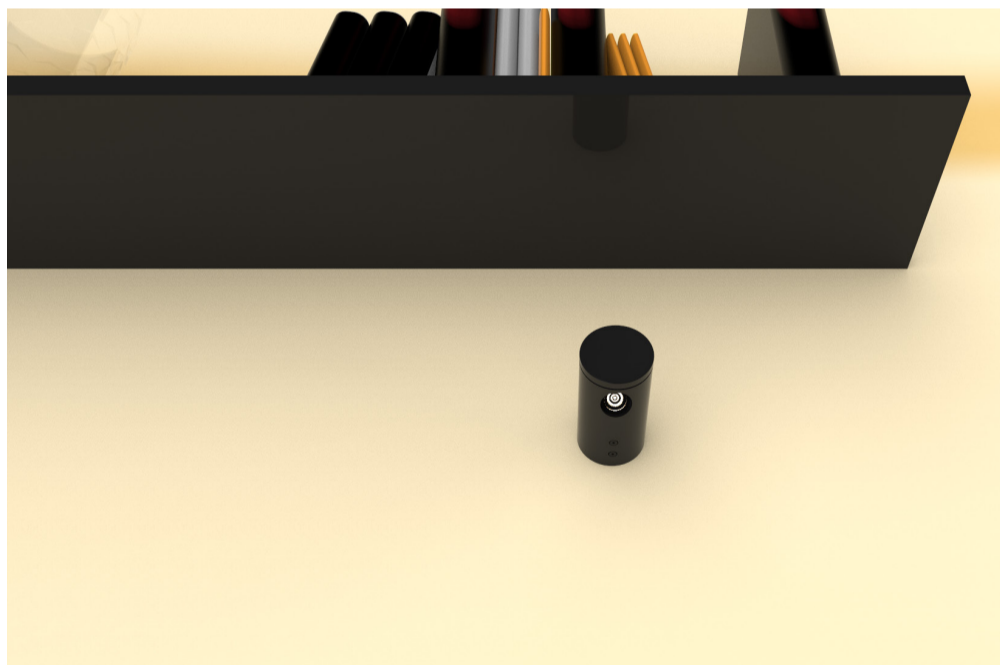
LED power (W)	2W
LED Driving Current(mA)	700mA Constant Current
Fixture Input Voltage	100-230V AC 50/60Hz
Driver	Internal
LED Driving Input	2.8 VDC

### Environmental

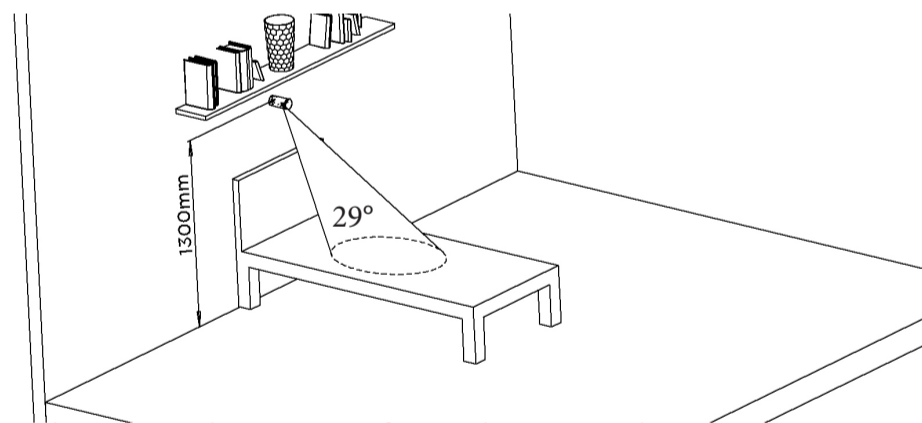
Operating Temp.	-20°C ~ 40°C / -4°F ~ 104°F
Projected lifetime	L70 over 50,000
Environment	Dry, Damp or Wet Locations, 0-99% humidity
Degree of protection (IP)	20
Impact resistance(IK)	06

### Physical

Fixture housing	Aluminum 6061
Bracket	Galvanized steel
Front cover	PMMA UV protected
Fasteners	Stainless steel
Coating	Anodized 15μ
Height	70 mm
Diameter	70 mm
Length	139.5 mm
Fixture Weight	773 gr



## PHOTOMETRICS



\* For net lumens subtract 15% from above numbers.

All testings were made at T=85°

## DIMENSIONS

