

O R S E N S O



LinPaK-70

IP67 free Standing floodlight

LinPaK-70

IP67 free Standing floodlight

Entry-level floodlight, best light quality and light output, excellent light distribution; All in a simple neat luminaire.

LinPaK-70 is a mid range floodlight only 787 mm long and holds 36 high power high CRI LED chips, delivering 9540lm. With variation of selected optics NS/WS/OV and special barndoors it is the perfect solution for any outdoor installation, like Large trees, walls, facades. and also any indoor application like museums, visiting centers, hospitality, or every place that needs special attention with the best quality of light.

In addition **LinPaK-70** offers variety of finishes. Any chosen RAL color can be ordered to complete its beautiful look.*

The **LinPaK-70** comes with ventilated cable gland that prevents condensation and internal pressure on the gaskets. Its heat sink is designed for high heat dissipation to ensure safe and long operation use.

LinPaK-70 comes with Fixed Barndoors and a stainless steel bracket that can be attached to any flat surface or with a ORSENZO's spike* for any landscape lighting applications.

Features:

- Up to 9500 lumens
- 72W
- 230V
- NS/WS/OV beam angles
- High CRI 82 (92 available)
- IP67
- Stainless steel bracket
- Fixed Barndoors / Skirt* / spike* / Honeycomb*
- Ventilated cable gland
- Guaranteed long life time and high performance
- Perfect for Indoor & Outdoor installations



* additional cost

LinPaK-70

IP67 free Standing floodlight



TECHSPEC

Output

Type of LEDs	36 x OSRAM High-power
Color Temperature (K)	2700 / 3000 / 4000 / 5000
Luminous flux (lm)	8928 / 8928 / 9180 / 9540 lm
CRI	82 typ / 92 available
Optics	High precision optical grade PMMA
Beam angle	NS (12°) / WS (56°) / OV (110+29°)
Efficiency (lm/w)	125 / 125 / 128 / 133

Electrical

LED power (W)	72W
Current(mA)	700mA Constant Current
Fixture Input Voltage	230 VAC
Driver	Internal (Meanwell)
Input cable	1.0m Harsh environment 3x1mm



Environmental

Operating Temp.	-20°C ~ 40°C / -4°F ~ 104°F
Projected lifetime	L70 over 50,000
Environment	Dry, Damp or Wet Locations, 0-99% humidity
Degree of protection (IP)	67
Impact resistance(IK)	06

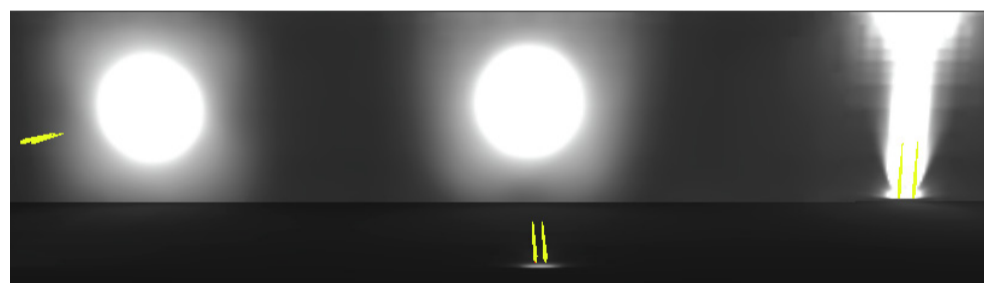
Physical

Fixture housing	Aluminum 6063
Bracket	Stainless steel
Front cover	PMMA UV protected
End cup	Glass Fiber filled nylon 6
Fasteners	Stainless steel
Coating	Anodize 15μ
Height	66 mm
Width	81 mm
Length	787 mm
Cable gland	Nickel plated brass
Fixture Weight	2782 gr

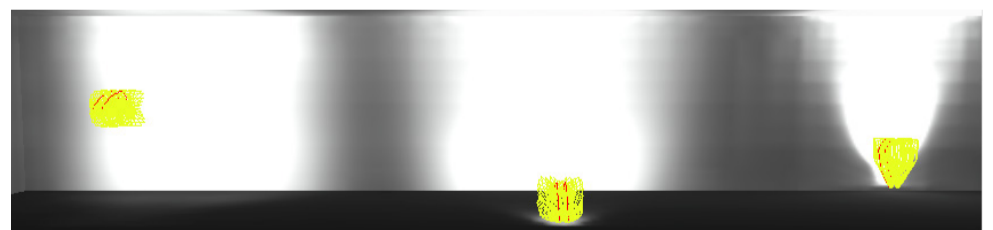
without
barndoors & bracket

PHOTOMETRICS

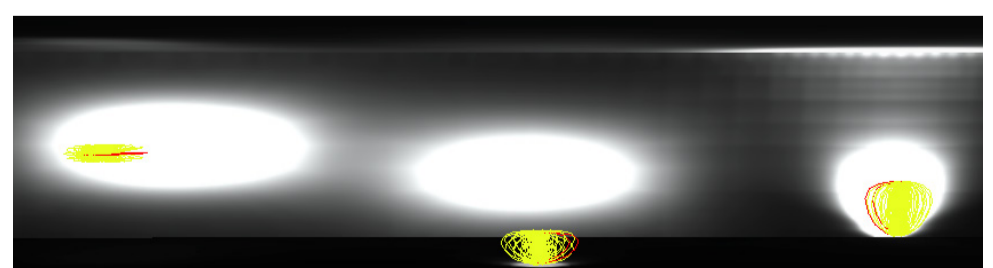
12 degree



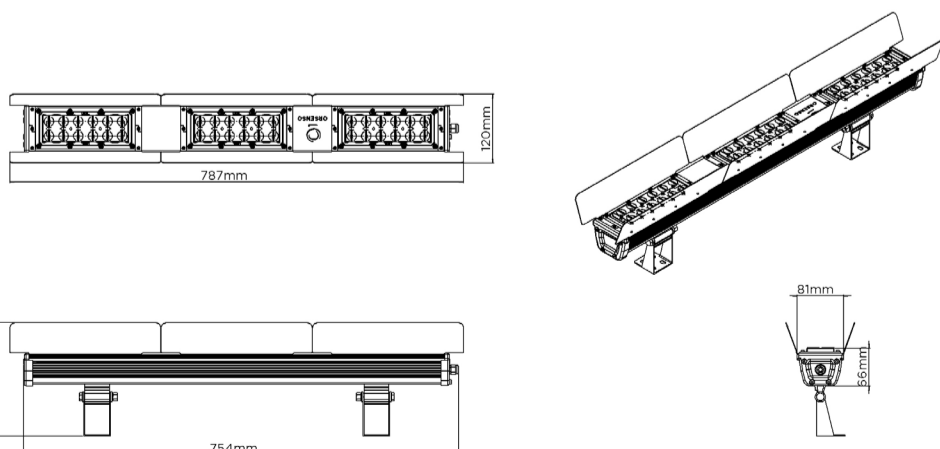
56 degree



110+29 degree



DIMENSIONS



* For net lumens subtract 7% from above numbers.

All testings were made at T=85°

