

O R S E N S O



L I N S E N S I P - 3 0

I P 6 7 L I N E A R O P T I C P R O F I L E

LINSENS IP-30

IP67 Linear optic profile

Unique combination of selected LED chips with high and precise optics , designed especially for outdoor illumination of walls and passages.

LINSENS IP-30 is an entry-level outdoor linear profile. It holds 2 different optic systems - asymmetrical for wall grazing/washing and symmetrical for passages and halls. There are 4 options that gives enormous freedom in designing the lighting scene.

One fixture covers 80cm wide, 2 fixtures covers 200cm wide and 300cm high

The **LINSENS IP-30** heat sink is designed for high dissipation of the heat to ensure safe and long operation use. The cover is made from optical grade polycarbonate with 93% efficiency.

LINSENS IP-30 is protected against water and dust and holds an Ingress Protection of IP67 and impact resistance of IK08.

LINSENS IP-30 has a Custom-designed mounting bracket for adjusting the tilt up to 50° each way.

Features:

- 1997 lumens @5000K CRI90*
- 4 types of lenses including Asymmetrical oval beam
- Input - external Constant Current driver
or
24Vdc with Internal driver
- IP67 IK08
- High CRI >90**
- Homogenous light output
- Guaranteed long life time and high performance
- Adjustable bracket
- Protected against short circuit, wrong wiring, Reverse polarity, High temperature.



* For net lumens Tj=85° subtract 36% from above numbers.

**CRI 82 (min) also available

LINSENS IP-30

IP67 Linear optic profile



TECHSPEC

Output

Number Of LEDs	24
Type of LEDs	OSRAM / LUMILEDS - CRI 90 (min)**
Color Temperature (K)	2000/2200/2700/3000/4000/5000
Luminous flux (lm)	1114/1183/1267/1531/1740/1997*
Optics	High precision optical grade PMMA
Beam angle	Wallgrazing/60/90/Asymmetrical
Luminous Efficacy (lm/w)	128 lm/w @3000K CRI90

Electrical

LED power (W)	12W	
Driver	External	Internal
Current	Constant current	Constant voltage
Fixture Input Voltage	WW 500mA 24V	24Vdc (dimming option on request)
	CW 1000mA 12V	
Input cable	2m IP rated cable	

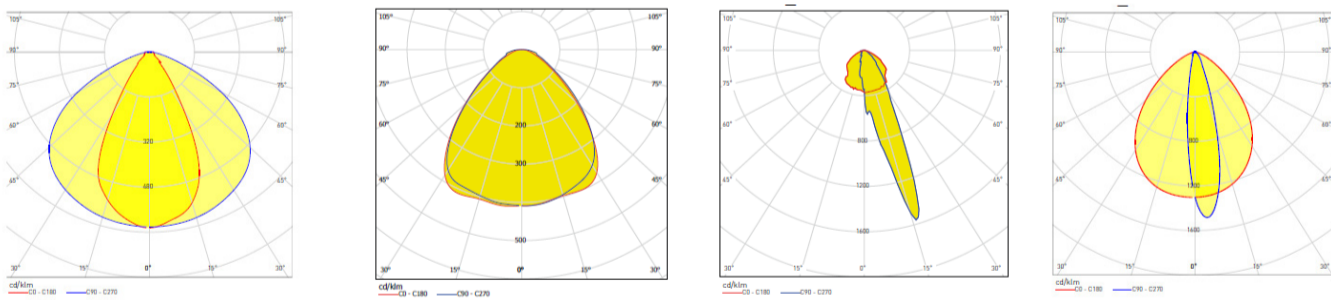
Environmental

Operating Temp.	-20°C ~ 40°C / -4°F ~ 104°F
Projected lifetime	L70 over 50,000
Environment	Dry, Damp or Wet Locations, 0-100% humidity
Degree of protection (IP)	67
Impact resistance(IK)	08

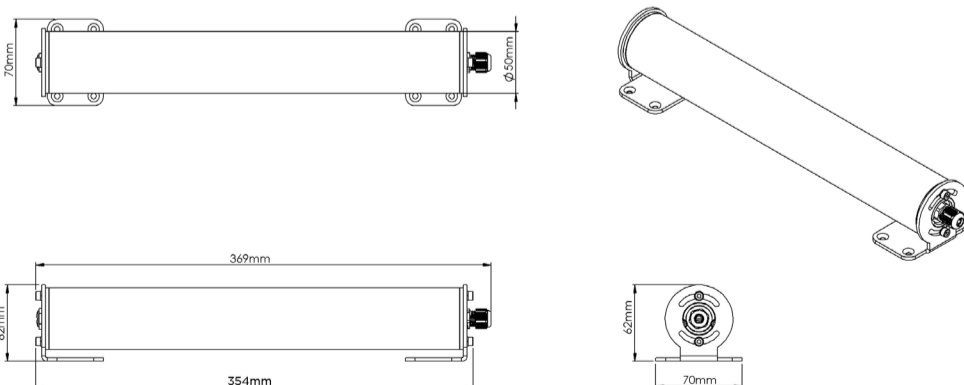
Physical

Housing	15µ Anodized 6061 Aluminum
Bracket	Stainless steel 304
Cover	Optical grade Polycarbonate
Fasteners	Stainless steel 304
Length	369 mm
Width	50mm (70mm incl bracket)
Height	62 mm (incl bracket)
Fixture Weight	583 gr

Light distribution



DIMENSIONS



* For net lumens $T_j=85^\circ$ subtract 36% from above numbers.

**CRI 82 (min) also available

