

ORSENSO



LUKA-CG

IP67 Gound Recessed Spot

LUKA-C_G

IP67 Ground Recessed spot

When you need it small but mighty. A unique combination of a very small housing with selected HP LED chip and precise optics.

LUKA-C_G is small but mighty, it is only Ø49mm wide but it holds a high power 120lm/W LED chip. With variation of selected optics NS/SP/WS/OV it is the perfect solution for outdoor applications where there is a need for a very small spot with the best quality of light.

In addition **LUKA-C_G** offers an option of diffused front glass that makes it the best solution for pavements and sidewalks.

The **LUKA-C_G** heat sink is designed for high dissipation of the heat to ensure safe and long operation use.

LUKA-C_G is protected against water and dust and holds an Ingress Protection of IP67 and impact resistance of IK08.

LUKA-C_G has an optional custom-designed housing** that allows it be installed inground, or any other surface the customers wants.

Features:

- 341 lumens
- NS/SP/WS / OV beam angles
- Diffused / Clear front glass
- IP67 IK08
- High CRI
- Guaranteed long life time and high performance
- Perfect for outdoor installations



**extra cost



LUKA-C_G

IP67 Ground Recessed spot



TECHSPEC

Output

Type of LEDs	High - power
Color Temperature (K)	2700 / 3000 / 4000
Luminous flux (lm)	341 lm @ 3000K 85°C (cri 82)
Optics	High precision optical grade PC
Beam angle	NS(13)/SP(29)/WS(32)/OV(13+52)
Efficiency (lm/w)	120 @ 3000 K, 85 °C (cri82)
CRI	82 minimum / 92 optional

Electrical

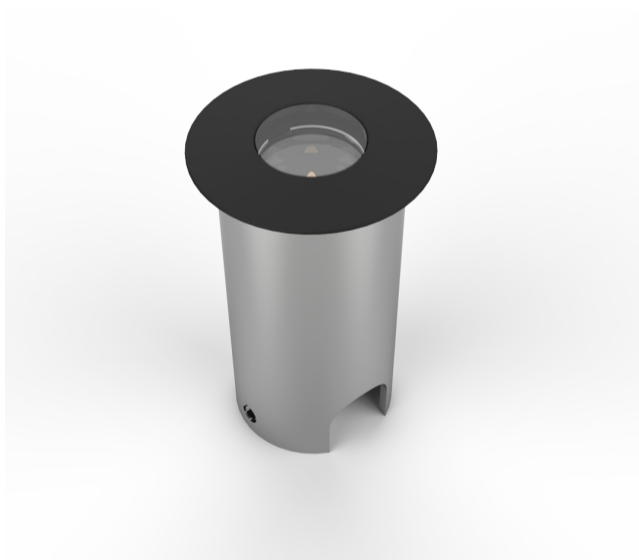
LED power (W)	2.86W
Fixture Input Voltage	2.8V DC
Current	up to 1000mA Constant Current
Driver	External
Input cable	1.0m IP rated cable

Environmental

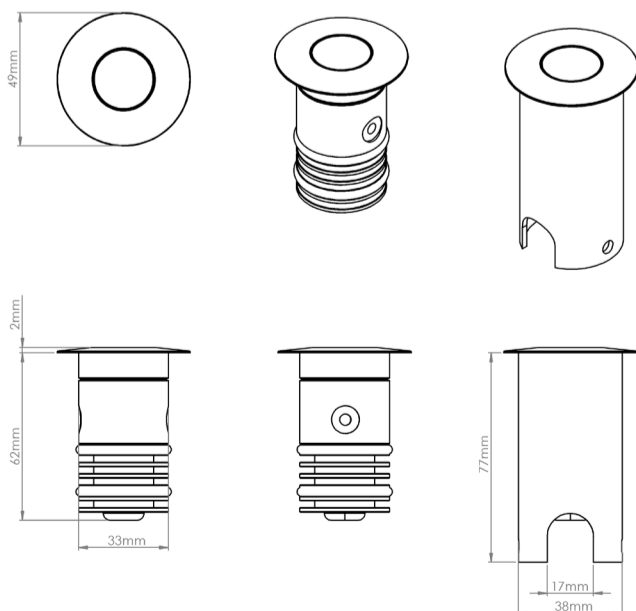
Operating Temp.	-20°C - 40°C / -4°F - 104°F
Projected lifetime	L70 over 50,000
Environment	Dry, Damp or Wet Locations, 0-100% humidity
Degree of protection (IP)	67
Impact resistance(IK)	08

Physical

Housing	6061 Aluminum
Front cover	Tempered glass
Fasteners	Marine grade stainless steel 304
Coating	15µ Black anodize - standard
Depth	62 mm /77 mm incl. housing
Width	49 mm
Cut out	38 mm
Cable gland	Polyamide
Fixture Weight	127 gr
Inground housing	SST 304



DIMENSIONS



Inground housing**



**extra cost